

Model	ARDF for M210, NC11, and N220 (Ricoh DF54, Savin 7150 ARDF, Nashua F811, infotec ARDF IV)	Volt/Hz	Date of Modification	Serial Number
Modified Article	Left Hinge			
Reason for Modification	To ensure the DF up and down operation			

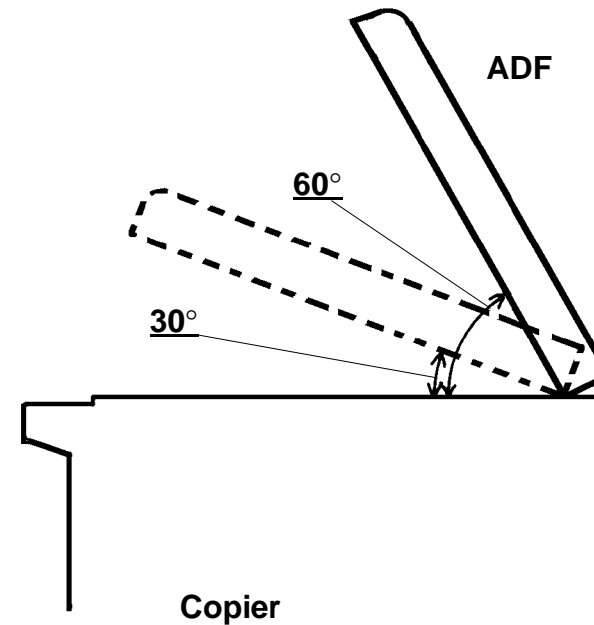
Draw No.	Old Parts No.	New Parts No.	Description	A.B.C.	Q'ty Used Old → New	Inter-change-ability	Part needed for replacement by new part		Parts Catalog	
				Rank			Part No.	Description	Index No.	Page
	A4651394	A4651393	Left Hinge		1 - 1	x/o			4	7

Rank: A : Replace with new parts immediately. B : Replace with new parts at time of repair. C : Replace with new parts at time of overhaul.
 Interchangeability:
 (1) When old and new parts are not mutually interchangeable, use additional parts or an assembly parts as indicated in "Parts needed for replacement by new part" to install the new part.
 (2) The mark to the left of the slash indicates whether the old part can be used in the new machine and the mark to the right indicates whether the new part can be used in the old machine. x = Not interchangeable o = Interchangeable

DETAILS OF MODIFICATION

When the operator opens the DF, it may open too fast after it reaches approximately 30 degrees as shown in the illustration.

To prevent this, tension of the springs in the DF left hinge has been changed. The new left hinge will not let the DF open too fast even after it reaches approximately 60 degrees.



T.Ito, Manager
Copier Technical Support

MODEL NAME	V/Hz	DESTINATION	CODE	SERIAL NUMBER
Savin 7150 ARDF	115/60	USA, Canada	A465-15	3200092373
Nashua F811	115/60	S. America, etc.	A465-16	132010XXXX
Ricoh DF54	115/60	USA, Canada	A465-17	2150080432
Nashua F811	220,240/50	Europe, etc.	A465-25	1320090001
infotec ARDF IV	220,240/50	Europe	A465-26	3770900001
Ricoh DF54	220,240/50	Europe, etc.	A465-27	2150090001

Model	ARDF for M210, NC11, and N220 (Ricoh DF54, Savin 7150 ARDF, Nashua F811, infotec ARDF IV)	Volt/Hz	Date of Modification	Serial Number
Modified Article	Front Frame and DF Upper Cover			
Reason for Modification	Parts standardization with ARDF for N230			

Due to parts standardization with the ARDF for the N230, the front frame and the DF upper cover have been changed with the interchangeability code O/O.

Old P/N	New P/N	Description	Q'ty Used	Index No.	Page
A4651100	A3181100	Front Frame	1 - 1	27	3
A4651300	A3181300	DF Upper Cover (RIC)	1 - 1	26	3
A4651303	A3181303	DF Upper Cover (SVN)	1 - 1	26	3
A4651301	A3181301	DF Upper Cover (NSA)	1 - 1	26	3
A4651302	A3181302	DF Upper Cover (KAL)	1 - 1	26	3

T. Ito, Manager
Copier Technical Support

MODEL NAME	V/Hz	DESTINATION	CODE	SERIAL NUMBER
Savin 7150 ARDF	115/60	USA, Canada	A465-15	/
Nashua F811	115/60	S. America, etc.	A465-16	
Ricoh DF54	115/60	USA, Canada	A465-17	
Nashua F811	220,240/50	Europe, etc.	A465-25	
infotec ARDF IV	220,240/50	Europe	A465-26	
Ricoh DF54	220,240/50	Europe, etc.	A465-27	

Model	ARDF for M210, NC11, and N220 (Ricoh DF54, Savin 7150, Nashua F811, infotec ARDF IV)	Volt/Hz	Date of Modification	Serial Number
Modified Article	Software			
Reason for Modification	To improve original misfeed reset function			

To improve original misfeed reset function only on the M210, the software has been changed.

Old P/N	New P/N	Description	Q'ty	Interchangeability	Page	Index
A4655180	A4655185	IC - D27 128A-2	1→1	X/O	9	2

T. Ito, Manager
Copier Technical Support

MODEL NAME	V/Hz	DESTINATION	CODE	SERIAL NUMBER
Savin 7150 ARDF	115/60	USA, Canada	A465-15	3201083648
Nashua F811	115/60	S. America etc.	A465-16	132108XXXX
Ricoh DF54	115/60	USA, Canada	A465-17	215108XXXX
Nashua F811	220, 240/50	Europe, etc.	A465-25	132108XXXX
Infotec ARDF IV	220, 240/50	Europe	A465-26	377181XXXX
Ricoh DF54	220, 240/50	Europe, etc.	A465-27	215108XXXX

Model	ARDF for M210, NC11, and N220 (Ricoh DF54, Savin 7150, Nashua F811, Infotec ARDF IV)	Volt/Hz	Date of Modification	Serial Number
Modified Article	Main board, feed-in motor and caution decal - fuse			
Reason for Modification	Vendor change and to meet the UL standards			

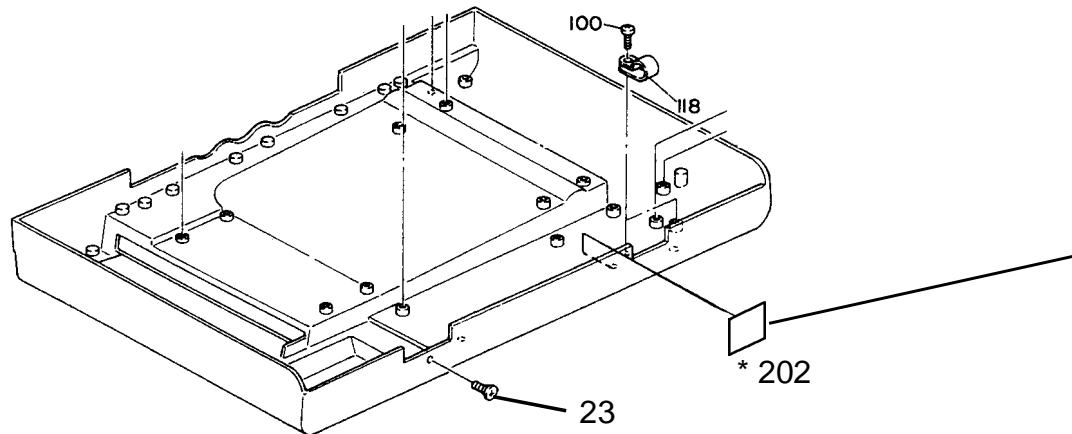
The feed-in motor is now procured from the new vendor and the part number has been changed. To meet the UL standards for the new motor, the fuse specification printed on the main board has been changed from "FU101 3A" to "FU101 F3A/125V", and a caution decal has been added to the inside of the DF upper cover. The old and new parts' interchangeability is O/O, except in the U.S.A.

Old P/N	New P/N	Description	Q'ty	Interchangeability	Page	Index
A4655190	A4655175	DF Main Board	1→1	O/O	7	9
A4225300	AX060043	Feed-in Motor	1→1	O/O	5	83
---	AA000072	Caution Decal - Fuse	0→1	—	5	*202

Note: The old motor (A4225300) is still used on other models.

* 202 : New Index Number

DETAILS OF MODIFICATION



CAUTION

For continued protection against risk of fire, replace only with same type and rating of fuse.

— — — — —

T. Ito, Manager
Copier Technical Support

MODEL NAME	V/Hz	DESTINATION	CODE	SERIAL NUMBER
Savin 7150 ARDF	115/60	USA, Canada	A465-15	
Nashua F811	115/60	S. America etc.	A465-16	132108XXXX
Ricoh DF54	115/60	USA, Canada	A465-17	
Nashua F811	220, 240/50	Europe, etc.	A465-25	132108XXXX
Infotec ARDF IV	220, 240/50	Europe	A465-26	377181XXXX
Ricoh DF54	220, 240/50	Europe, etc.	A465-27	215108XXXX

Model	ARDF for M210, NC11, and N220 (Ricoh DF54, Savin7150 ARDF, Nashua F811, Infotec ARDF IV)	Volt/Hz	Date of Modification	Serial Number
Modified Article	Side Roller & Belt Pressure Roller			
Reason for Modification	Part standardization with other ARDF			

Due to part standardization with other ARDF, the Side Roller and the Belt Pressure Roller have been changed with the interchangeability code O/O.

Old P/N	New P/N	Description	Q'ty Used	Interchangeability	Index No.	Page
A4221090	A3181090	Side Roller	1 → 1	O/O	46	5
A4221116	A4971101	Belt Pressure Roller	1 → 1	O/O	40	3

T. Ito, Manager
Copier Technical Support

MODEL NAME	V/Hz	DESTINATION	CODE	SERIAL NUMBER
Savin 7150 ARDF	115/60	USA, Canada	A465-15	3201083648
Nashua F811	115/60	S. America etc.	A465-16	132108XXXX
Ricoh DF54	115/60	USA, Canada	A465-17	215108XXXX
Nashua F811	220, 240/50	Europe, etc.	A465-25	132108XXXX
Infotec ARDF IV	220, 240/50	Europe	A465-26	377081XXXX
Ricoh DF54	220, 240/50	Europe, etc.	A465-27	215108XXXX

Model	ARDF for M210, NC11, and N220 (Ricoh DF54, Savin7150 ARDF, Nashua F811, Infotec ARDF IV)	Volt/Hz	Date of Modification	Serial Number
Modified Article	Feed-in Motor Harness			
Reason for Modification	Part standardization with other ARDF			

Due to part standardization with other ARDF, the Feed-in Motor Harness has been changed. The interchangeability is O/O.

Old P/N	New P/N	Description	Q'ty Used	Interchangeability	Index No.	Page
A4225204	A3385204	Feed-in Motor Harness	1 → 1	O/O	84	5
					*	13

T. Ito, Manager
Copier Technical Support

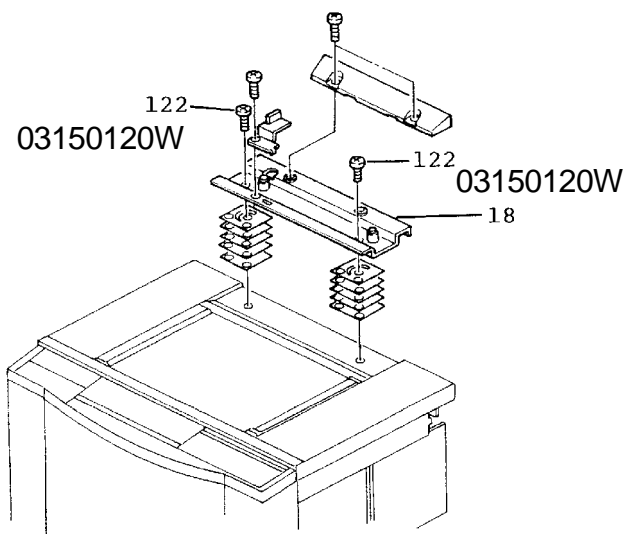
MODEL NAME	V/Hz	DESTINATION	CODE	SERIAL NUMBER
Savin 7150 ARDF	115/60	USA, Canada	A465-15	3201083648
Nashua F811	115/60	S. America etc.	A465-16	132108XXXX
Ricoh DF54	115/60	USA, Canada	A465-17	215108XXXX
Nashua F811	220, 240/50	Europe, etc.	A465-25	132108XXXX
Infotec ARDF IV	220, 240/50	Europe	A465-26	377081XXXX
Ricoh DF54	220, 240/50	Europe, etc.	A465-27	215108XXXX

Model	ARDF for M210, NC11, and N220 (Ricoh DF54, Savin 7150 ARDF, Nashua F811, Infotec ARDF IV)	Volt/Hz	Date of Modification	Serial Number
Modified Article	Philips Pan Head Screw - M5 x 10			
Reason for Modification	To install the ARDF onto the new product			

To install the ARDF onto the new product, these screws which secur the Mounting Bracket (Index # 18) is changed from 10mm long to 12mm.

Old P/N	New P/N	Description	Q'ty Used	Interchangeability	Index No.	Page
03150100W	03150120W	Philips Pan Head Screw M5 x 12	2 → 2	X/O	122	3

1. EXTERIOR & TRANSPORT SECTION (A465) (Page 2)

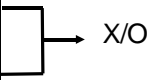


T. Ito, Manager
Copier Technical Support

MODEL NAME	V/Hz	DESTINATION	CODE	SERIAL NUMBER
Savin 7150 ARDF	115/60	USA, Canada	A465-15	3201083648
Nashua F811	115/60	S. America etc.	A465-16	132108XXXX
Ricoh DF54	115/60	USA, Canada	A465-17	215108XXXX
Nashua F811	220, 240/50	Europe, etc.	A465-25	132108XXXX
Infotec ARDF IV	220, 240/50	Europe	A465-26	377081XXXX
Ricoh DF54	220, 240/50	Europe, etc.	A465-27	215108XXXX

Model	ARDF for M210, NC11, and N220 (Ricoh DF54, Savin7150 ARDF, Nashua F811, Infotec ARDF IV)	Volt/Hz	Date of Modification	Serial Number
Modified Article	Harness - Pulse Generator			
Reason for Modification	Part standardization with other ARDF			

Due to part standardization with other ARDF, the Harness - Pulse Generator has been changed. The new Harness - Pulse Generator is an assembly of a relay harness and a grounding wire. The interchangeability is X/O.

Old P/N	New P/N	Description	Q'ty Used	Interchangeability	Index No.	Page
A4225202	A4975202	Harness Pulse Generator	1 → 1		10	5
A4225212	-----	Grounding Wire	1 → 0		88	5

T. Ito, Manager
Copier Technical Support

MODEL NAME	V/Hz	DESTINATION	CODE	SERIAL NUMBER
Savin 7150 ARDF	115/60	USA, Canada	A465-15	3201093708
Nashua F811	115/60	S. America etc.	A465-16	Service Parts only
Ricoh DF54	115/60	USA, Canada	A465-17	215112XXXX
Nashua F811	220, 240/50	Europe, etc.	A465-25	132112XXXX
Infotec ARDF IV	220, 240/50	Europe	A465-26	377121XXXX
Ricoh DF54	220, 240/50	Europe, etc.	A465-27	215112XXXX

Model		ARDF for M210, NC11, and N220 (Ricoh DF54, Savin7150 ARDF , Nashua F811, Infotec ARDF, IV)					Volt/Hz	Date of Modification	Serial Number	
Modified Article		Friction Belt and Friction Roller								
Reason for Modification		To ensure separation								
Draw No.	Old Parts No.	New Parts No.	Description	A.B.C.	Q'ty Used Old → New	Inter-changeability	Part needed for replacement by new part		Parts Catalog	
				Rank			Part No.	Description	Index No.	Page
	A4221354	A4971170	Friction Belt		1 → 1	X/O			69	5
	A4221069		Friction Roller		1 → 0				72	5

Rank: A : Replace with new parts immediately. B : Replace with new parts at time of repair. C : Replace with new parts at time of overhaul.

Interchangeability:

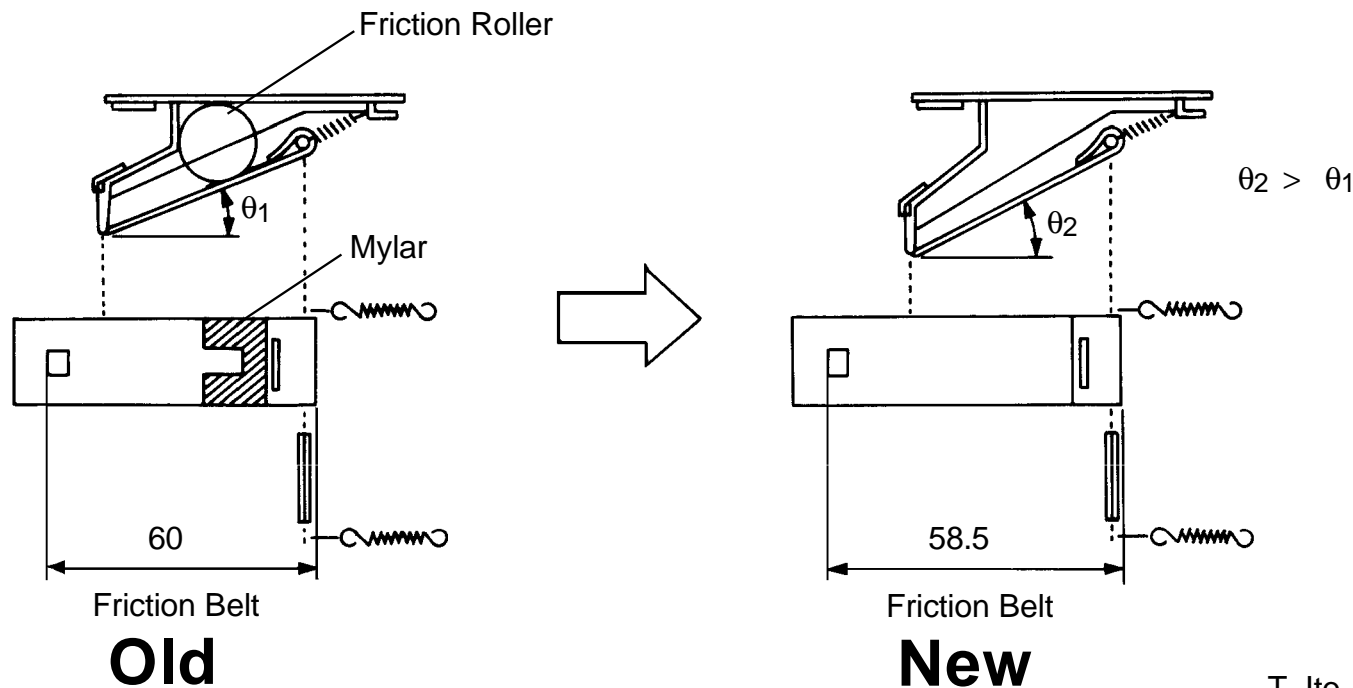
(1) When old and new parts are not mutually interchangeable, use additional parts or an assembly parts indicated in "Parts needed for replacement by new part" to install the new part.

(2) The mark to the left of the slash indicates whether the old part can be used in the new machine and the mark to the right indicates whether the new part can be used in the old machine. x = Not interchangeable o = Interchangeable

DETAILS OF MODIFICATION

To ensure the original separation, we found that it is more effective to increase the angle (θ) as shown. These are the modifications on production machines to change the angle from θ_1 to θ_2 :

1. The friction roller has been removed.
2. The mylar on the friction belt has been removed.
3. The dimension of the friction belt has been changed.



T. Ito, Manager
Copier Technical Support

MODEL NAME	V/Hz	DESTINATION	CODE	SERIAL NUMBER
Savin 7150 ARDF	115/60	USA, Canada	A465-15	3201093708
Nashua F811	115/60	S. America etc.	A465-16	Service Parts only
Ricoh DF54	115/60	USA, Canada	A465-17	215112XXXX
Nashua F811	220, 240/50	Europe, etc.	A465-25	132112XXXX
Infotec ARDF IV	220, 240/50	Europe	A465-26	377121XXXX
Ricoh DF54	220, 240/50	Europe, etc.	A465-27	215112XXXX

Model	ARDF for M210, NC11, and N220 (Ricoh DF54, Savin7150 ARDF, Nashua F811, Infotec ARDF IV)	Volt/Hz	Date of Modification	Serial Number
Modified Article	Decal - Mode Confirmation			
Reason for Modification	Part standardization with other ARDF			

Due to part standardization with other ARDF, the Decal-Mode Confirmation has been changed.

Old P/N	New P/N	Description	Q'ty Used	Interchangeability	Index no.	Page
A4652017	A3182017	Decal - Mode Confirmation	1 → 1	X/O	31	3

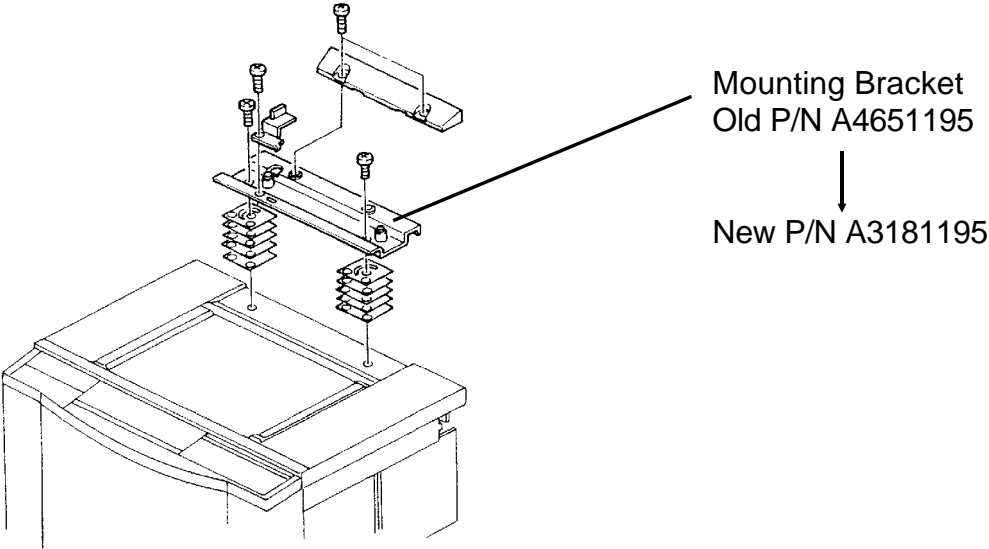
T. Ito, Manager
Copier Technical Support

MODEL NAME	V/Hz	DESTINATION	CODE	SERIAL NUMBER
Savin 7150 ARDF	115/60	USA, Canada	A465-15	3201083648
Nashua F811	115/60	S. America etc.	A465-16	Service Parts only
Ricoh DF54	115/60	USA, Canada	A465-17	215112XXXX
Nashua F811	220, 240/50	Europe, etc.	A465-25	132112XXXX
Infotec ARDF IV	220, 240/50	Europe	A465-26	377121XXXX
Ricoh DF54	220, 240/50	Europe, etc.	A465-27	215112XXXX

Model	ARDF for M210, NC11 and N220 (Ricoh DF54, Savin 7150ARDF, Nashua F811, Infotec ARDF IV)	Volt/Hz	Date of Modification	Serial Number
Modified Article	Mounting Bracket			
Reason for Modification	Part standardization with other ARDF			

Due to part standardization with other ARDF, the Mounting Bracket has been changed. A screw hole and a hole have been added but they have no function. The Interchangeability is O/O.

Old P/N	New P/N	Description	Q'ty Used	Interchangeability	Index No.	Page
A4651195	A3181195	Mounting Bracket	1 → 1	O/O	18	3



T. Ito, Manager
Copier Technical Support

MODEL NAME	V/Hz	DESTINATION	CODE	SERIAL NUMBER
Savin 7150 ARDF	115/60	USA, Canada	A465-15	
Nashua F811	115/60	S. America etc.	A465-16	
Ricoh DF54	115/60	USA, Canada	A465-17	
Nashua F811	220, 240/50	Europe, etc.	A465-25	
Infotec ARDF IV	220, 240/50	Europe	A465-26	
Ricoh DF54	220, 240/50	Europe, etc.	A465-27	

Model	ARDF for M210, NC11 and N220 (Ricoh DF54, Savin 9150 ARDF, Nashua RF811, Infotec ARDF IV)	Volt/Hz	Date of Modification	Serial Number
Modified Article	Photocoupler			
Reason for Modification	Due to vendor change			

Due to vendor change, the following part has been changed. The interchangeability is O/O.

Page	Index	Old P/N	New P/N	Description
9	119	14030388		Photocoupler - ON3111
9	119		14030784	Photocoupler - ON3131

T. Ito, Manager
Copier Technical Support

MODEL NAME	V/Hz	DESTINATION	CODE	SERIAL NUMBER
Savin 7150 ARDF	115/60	USA, Canada	A465-15	
Nashua F811	115/60	S. America etc.	A465-16	
Ricoh DF54	115/60	USA, Canada	A465-17	
Nashua F811	220, 240/50	Europe, etc.	A465-25	
Infotec ARDF IV	220, 240/50	Europe	A465-26	
Ricoh DF54	220, 240/50	Europe, etc.	A465-27	

Model		ARDF for M210, NC11and N220 (Ricoh DF54, SAVIN 9150 ARDF, Nashua RF811, infotec ARDF IV)					Volt/Hz	Date of Modification	Serial Number	
Modified Article		Original Table								
Reason for Modification		To prevent the original table from being broken								
Draw No.	Old Parts No.	New Parts No.	Description	Rank	Q'ty Used Old→New	Inter-change-ability	Parts needed for replacement by new part		Parts Catalog	
							Part No.	Description	No.	Page
	A4651327	A4651323	Original Table (SAVIN, Nashua)		1 → 1	X/O			8	3
	A4221323	A3181241	Original Table (Ricoh)		1 → 1	X/O			8	3
	A4651328	A3181244	Original Table (Infotec)		1 → 1	X/O			8	3

Rank: A : Replace with new parts immediately. B : Replace with new parts at time of repair. C : Replace with new parts at time of overhaul.

Interchangeability:

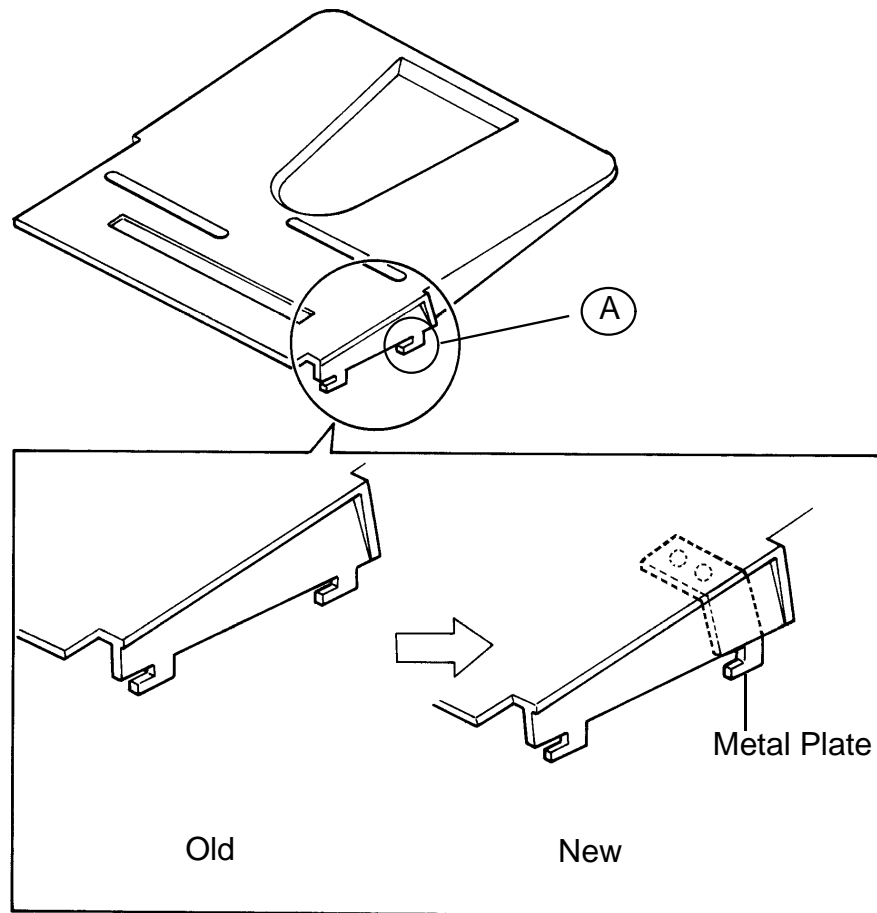
(1) When old and new parts are not mutually interchangeable, use additional parts or an assembly part as indicated in "Parts needed for replacement by new part" to install the new part.

(2) The mark to the left of the slash indicates whether the old part can be used in the new machine, and the mark to the right indicates whether the new part can be used in the old machine. x = Not interchangeable o = Interchangeable

DETAILS OF MODIFICATION

The operators often open and close the DF by holding the original table. After about 1000 ~ 3000 times, (A) of the original table will break.

To prevent this problem, the material of (A) has been changed to metal.



T. Ito, Manager
Copier Technical Support

MODEL NAME	V/Hz	DESTINATION	CODE	SERIAL NUMBER
Savin 7150 ARDF	115/60	USA, Canada	A465-15	
Nashua F811	115/60	S. America etc.	A465-16	
Ricoh DF54	115/60	USA, Canada	A465-17	
Nashua F811	220, 240/50	Europe, etc.	A465-25	
Infotec ARDF IV	220, 240/50	Europe	A465-26	
Ricoh DF54	220, 240/50	Europe, etc.	A465-27	

Model	ARDF for M210, NC11 and N220 (Ricoh DF54, SAVIN 9150 ARDF, Nashua RF811, Infotec IV)	Volt/Hz	Date of Modification	Serial Number
Modified Article	Covers			
Reason for Modification	Material change			

To change the material, the following parts have been changed.

NOTE: In this modification , the color of the about parts have been changed from black to silver.

Old P/N	New P/N	Description	Q'ty Used	Inter-change-ability	Parts Catalog	
					Index No.	Page
A4221500	A4221472	Belt Drive Motor Cover	1 → 1	O/O	50	3
A4221183	A4221475	Main Board Cover	1 → 1	O/O	51	3
A4651184	A4651161	Feed-out Motor Cover	1 → 1	O/O	46	3

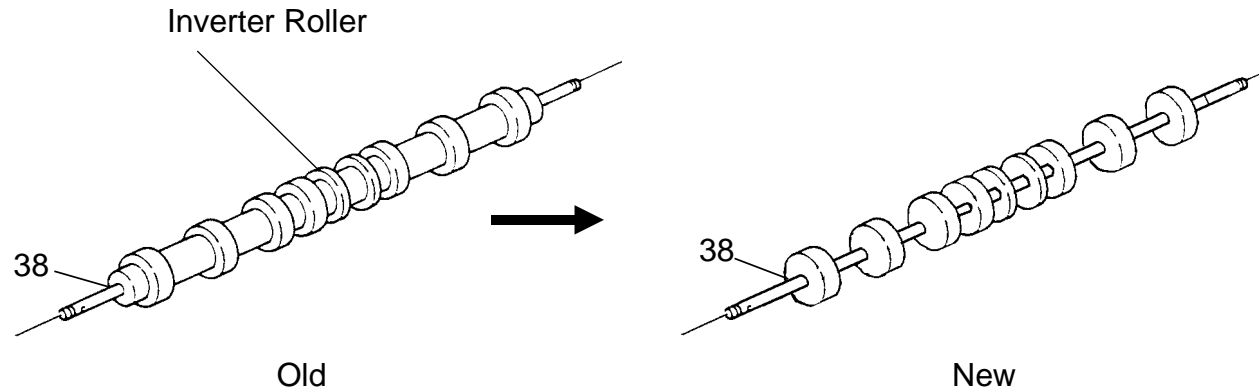
T. Ito, Manager
Copier Technical Support

MODEL NAME	V/Hz	DESTINATION	CODE	SERIAL NUMBER
Savin 7150 ARDF	115/60	USA, Canada	A465-15	
Nashua F811	115/60	S. America etc.	A465-16	
Ricoh DF54	115/60	USA, Canada	A465-17	
Nashua F811	220, 240/50	Europe, etc.	A465-25	
Infotec ARDF IV	220, 240/50	Europe	A465-26	
Ricoh DF54	220, 240/50	Europe, etc.	A465-27	

Model	ARDF for M210, NC11 and N220 (Ricoh DF54, SAVIN 9150 ARDF, Nashua RF811, Infotec IV)	Volt/Hz	Date of Modification	Serial Number
Modified Article	Inverter Roller			
Reason for Modification	Parts standardization			

To standardize the parts with other models, the following parts have been changed.

Old P/N	New P/N	Description	Q'ty Used	Inter-change-ability	Parts Catalog	
					Index No.	Page
A4221210	A4972090	Inverter Roller	1 → 1	O/O	38	7



T. Ito, Manager
Copier Technical Support

MODEL NAME	V/Hz	DESTINATION	CODE	SERIAL NUMBER
Savin 7150 ARDF	115/60	USA, Canada	A465-15	
Nashua F811	115/60	S. America etc.	A465-16	
Ricoh DF54	115/60	USA, Canada	A465-17	
Nashua F811	220, 240/50	Europe, etc.	A465-25	
Infotec ARDF IV	220, 240/50	Europe	A465-26	
Ricoh DF54	220, 240/50	Europe, etc.	A465-27	

Model	ARDF for M210, NC11, and N220	Volt/Hz	Date of Modification	Serial Number
Modified Article	DC Main Board			
Reason for Modification	Due to part standardization			

Due to part standardization, the DF Main Board has been changed.

Old P/N	New P/N	Description	Q'ty Used	Inter-changeability	Parts Catalog	
					Index No.	Page
A4655177	A4655500	DC Main Board	1 → 1	O/O	9	7

M. Iwasa, Manager
 Technical Support Department

MODEL NAME	V/Hz	DESTINATION	CODE	SERIAL NUMBER
Savin 7150 ARDF	115/60	USA, Canada	A465-15	Service Parts Only
Nashua F811	115/60	S. America etc.	A465-16	Service Parts Only
Ricoh DF54	115/60	USA, Canada	A465-17	Service Parts Only
Nashua F811	220, 240/50	Europe, etc.	A465-25	Service Parts Only
Infotec ARDF IV	220, 240/50	Europe	A465-26	Service Parts Only
Ricoh DF54	220, 240/50	Europe, etc.	A465-27	Service Parts Only